

**LCD Counter Codix 907 (1 preset) / 908 (2 presets)**

11 ... 30V	115/230V	-10° +50°	DIN 48 x 48	PROG	IP 65	max. 5 kHz	1 or 2	Presets 907: 1 908: 2	Multifunction	2 x 6 LCDs
Supply voltage		Temperature range	DIN front-panel	Menu driven programming	High IP-Value	Plug-in screw terminal	Count frequency			



in preparation

**Functional:**

- Pulse- and time preset counter in one device
- 1 or 2 presets
- Adding and subtracting
- Automatic programmable reset
- Count frequency up to 5 kHz

**Rational:**

- All important functions included
- Simple programming structure
- 2-line 6-digit LCD with optional backlighting
- Relays for AC and DC

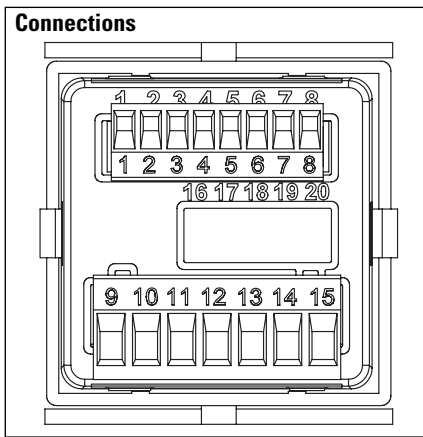
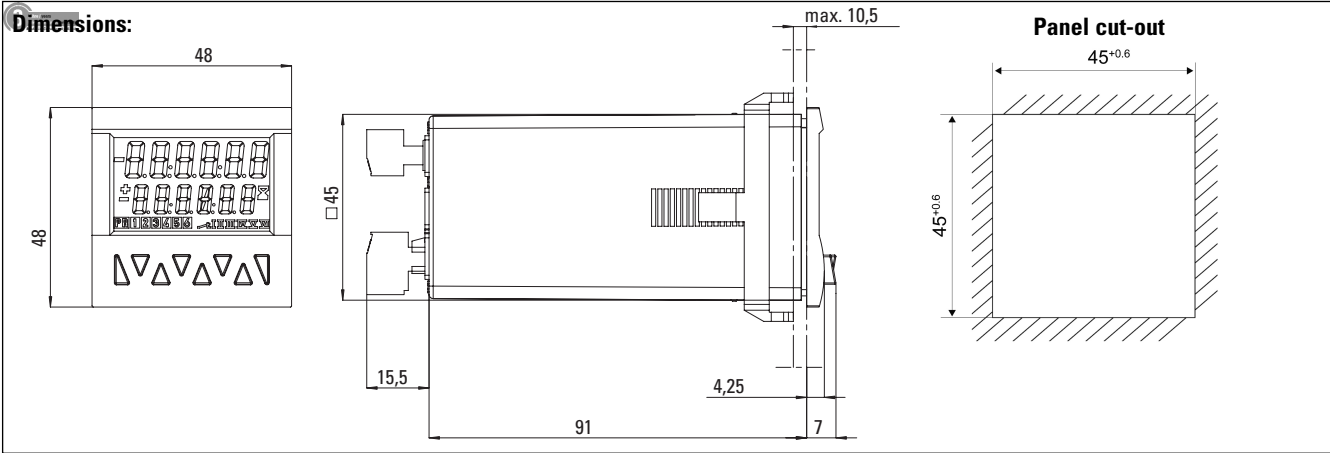
**Simple:**

- Fast start-up
- Easy installation due to small installation depth and plug-in screw terminals

**Technical data:**

Supply-voltage:	115/ 230 V AC/ max. 6,5 VA, 50/ 60 HZ, 11 ... 30 V DC/ max. 4 W	Output 2	Mech. service life (switching cycles) 20 x 10 <sup>6</sup> N° of switching cycles at 3 A/250 V AC 5 x 10 <sup>4</sup> N° of switching cycles at 3 A/30 V DC 5 x 10 <sup>4</sup> Relay with changeover contact
External fuse protection	230 V AC: T 0.1 A, 115 V AC: T 0.125 A 11 ... 30 V DC: T 0.2 A	Reaction time of outputs :	< 15 ms pulse counter <10 ms timer
Display	2-line 6-digit LCD-Display, positive (green) backlighting optional	Count modes:	
Data retention:	> 10 years, EEPROM	Pulse counter:	cnt.dir, up.dn, quad
<b>Inputs</b>		Timer:	FrErun, InpA.InpB., InpB.InpB.
Count inputs:	A and B	Voltage supply for sensors:	
Polarity of the inputs:	programmable for all inputs in common NPN/PNP	AC supply	24 V DC -40/+15%, 50 mA for 230 V AC, 40 mA for 115 V AC
Input resistance:	10 kΩ	DC supply	max. 50 mA, external voltage supply is connected through
Count frequency:	max. 5 kHz (details see operating instructions) can be damped to 30 Hz (mech. contacts)	Operating temperature:	-10 °C ... +50 °C
Control- / reset inputs:	Lock, Reset:	Storage temperature:	-25 °C ... +75 °C
Min. pulse duration of control- / reset inputs:	static/1 msec	Humidity:	RH 93% at +40 °C, non condensing
Switching levels with AC/ DC-supply:		Height:	to 2000 m
4 ... 30 V DC level	Low: 0 ... 2 V DC High: 3.5 ... 30 V DC	EMC:	Interference emission EN55011 class B Immunity to interference EN 61000-6-2
Pulse shape:	variable, Schmitt-Trigger inputs	Device safety:	EN 61010 part 1; protection class: 2
<b>Outputs</b>		Application:	Pollution level 2
Switching voltage	max. 250 V AC/110 V DC,	Protection:	IP65 (front)
Switching current	max. 3 A AC/A DC.	Weight:	AC-version approx. 250 g DC-version approx. 150 g
Switching current	min. 30 mA DC		
Switching capacity	max. 750 VA/90 W		
Output 1	Mech. service life (switching cycles) 2 x 10 <sup>7</sup> N° of switching cycles at 3 A/250 V AC 1 x 10 <sup>5</sup> N° of switching cycles at 3 A/30 V DC 1 x 10 <sup>5</sup> Relay with closing contact, programmable as normally open (NO) or normally closed (NC).		

## LCD Counter Codix 907 (1 preset) / 908 (2 presets)



**Signal- and control inputs**

- 1 Sensor voltage supply  
AC: 24 VDC/220 V, 50 mA; 115 V: 40 mA  
DC: UB interconnected
- 2 GND (0 VDC)
- 3 INP A (Signal input A)
- 4 INP B (Signal input B)
- 5 RESET (Reset input)
- 6 LOCK (Key locking input)
- 7 n. c.
- 8 n. c.

**Version with relays/optocouplers**

- 9 Relay contact C./Collector
  - 10 Relay contact N.O./Emitter
  - 11 Relay contact C./Emitter
  - 12 Relay contact N.O./not assigned
  - 13 Relay contact N.C./Collector
  - 14 AC: 115/230 VAC N~  
DC: 11 ... 30 VDC
  - 15 AC: 115/230 VAC L~  
DC: GND (0 VDC)
- Output 1 (pins 9, 10)  
Output 2 (pins 11, 12)  
Supply voltage (pins 14, 15)

**Delivery specification:**

- Preset counter
- Mounting clip
- 8 pin screw terminal
- 7 pin screw terminal
- Operating instructions

**Order code:**

**6.90X.010X.XA0**

**Number of presets**

- 7 = 1 preset\*
- 8 = 2 presets\*

**Outputs**

- 0 = Relays \*

**LCD options**

- 0 = no backlighting \*
- 1 = green backlighting

**Input trigger level**

- A = 4 ... 30 VDC level\*

**Supply voltage**

- 0 = 230 VAC\*
- 1 = 115 VAC
- 3 = 10 ... 30 VDC\*

\* Standard stock models

**Accessories:**

Adapter front bezel 55 x 55 mm for panel cut-out 50 x 50 mm  
Order code: T00885  
Gasket order code: N511004

Adapter front bezel 60 x 75 mm with screw fixing  
Order code: T008860,  
Gasket order code: N511028

**Replacement parts:**

- 8-pin screw terminal 1 ... 8: N100498
- 7-pin screw terminal 9 ... 15: N100548u002