



Czujniki ultradźwiękowe UC4

UC4-13341



Nazwa modelu > **UC4-13341**

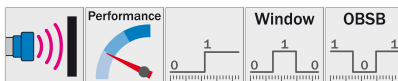
Numer cz. ci > **6034669**

At a glance

- Integrated time-of-flight technology detects objects such as glass, liquids and transparent foils, independent of color
- Three operation modes: Distance to Object (DtO), Window (Wnd) or Object between sensor and background (OBSB)
- Immunity to dirt, dust and fog
- One PNP/NPN switching output
- Excellent background suppression

Your benefits

- Mini housing allows for quick and easy integration, even in the most confined spaces
- Immunity to dirt and dust ensures reliable object detection, even in challenging environmental conditions
- Integrated temperature compensation ensures high measurement accuracy
- Various switching outputs provide application flexibility, which increases reliability and productivity
- Full mechanical compatibility to photoelectric sensors increase application flexibility without machine modification
- Economical version available for simple, cost-sensitive applications
- Fast machine setup due to easy-to-use teach-in button



Wydajno

Working range, limiting range ¹⁾ :	13 mm ... 150 mm250 mm
Odtwarzalność: ²⁾ :	± 0,15 %
Accuracy ³⁾ :	± 1 %
Output rate:	8 ms
Switching frequency:	20 Hz
Ultrasonic frequency (typical):	380 kHz
Detection area (typical):	See diagrams
Additional function:	Set switching mode: Distance to object (DtO)/Window (Wnd)/Object between sensor and background (OBSB) Teach-in of switching output Switching output invertible Kompensacja temperatury Reset to factory default Lock user interface

- 1) Teach-in from 21 mm 2) 3) Referring to current measurement value

Interfejsy

Wyjście przełączające^{1), 2)}: 1 x PNP (200 mA)
 Histereza: 2 mm

- 1) Wyjście Q zabezpieczone przed zwarciami²⁾ PNP: HIGH = $V_S - (< 2 V)$ /LOW = 0 V

Mechanika/elektronika

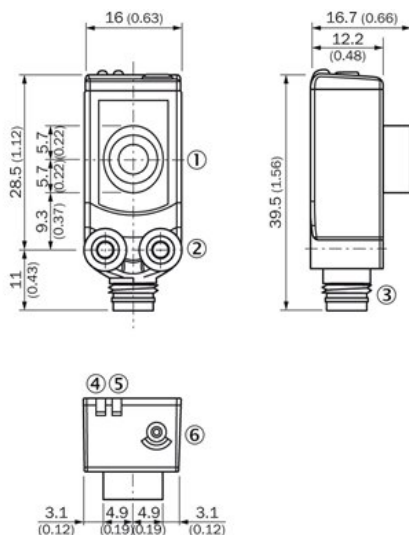
Sending axis: Prosty
 Napięcie zasilania VS¹⁾: DC 20 V ... 30 V
 Pobór mocy²⁾: ≤ 0,75 W
 Initialization time: < 300 ms
 Housing material³⁾: ABS-plastic
 Sposób przyłączenia: Connector M8, 3-pin
 Indication: 2 x LED
 Ciężar: 10 g

- 1) Limit values, reverse-polarity protected, operation in short-circuit protected network, max. 8 A²⁾ Bez obciążenia³⁾ Ultrasonic transducer: polyurethane foam, glass epoxy resin

Dane otoczenia

Rodzaj zabezpieczenia: IP 67
 Klasa ochronności: III
 Ambient temperature: Operation: -25 ... 70 °C
 Storage: -40 ... 85 °C
 Kompensacja temperatury: ✓

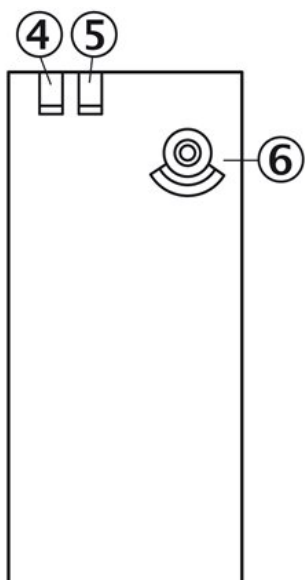
Dimensional drawing



- |1| Transmission and reception axis
- |2| Threaded mounting hole M3
- |3| Connection
- |4| Status indicator switching output (orange)
- |5| Status indicator power on (green)
- |6| Elementy sterujące

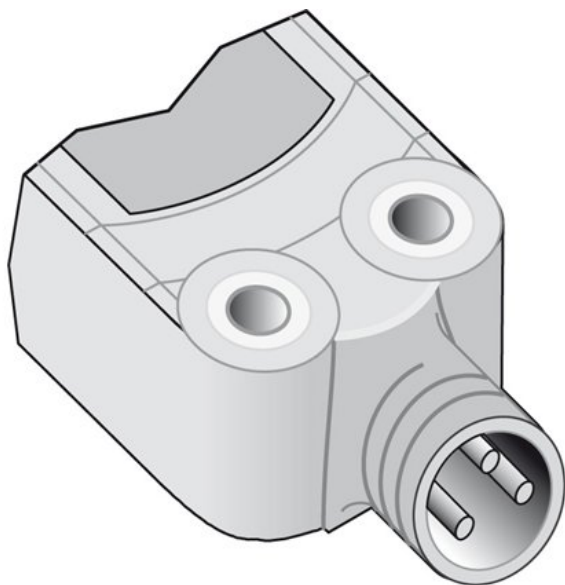
All dimensions in mm (inch)

Adjustments

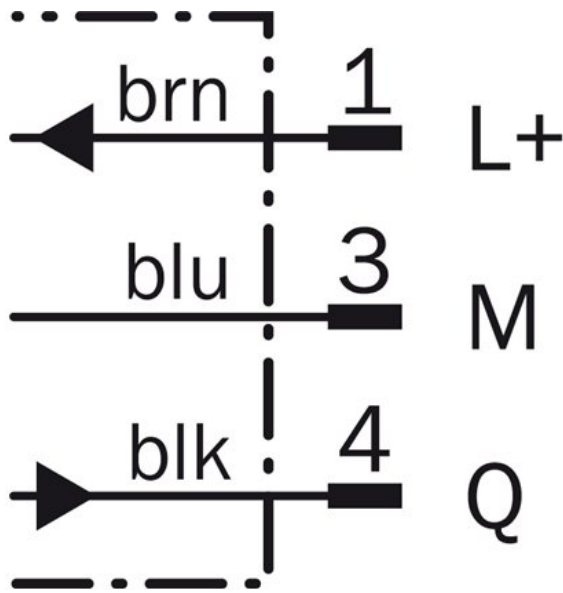


- |4| Status indicator switching output (orange)
- |5| Status indicator power on (green)
- |6| Elementy sterujące

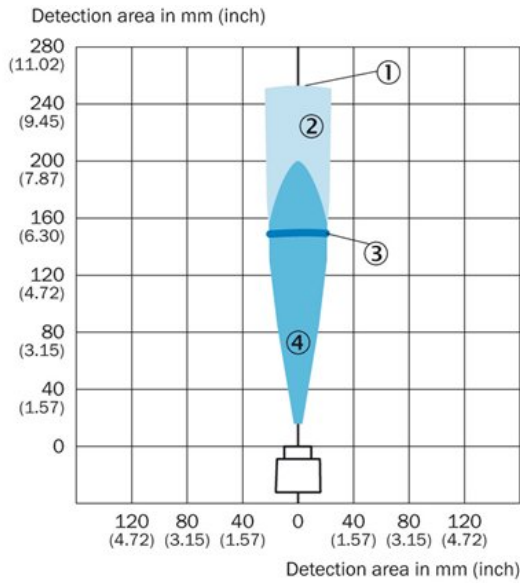
Connection type



Connection diagram



Characteristic curve



- [1] Limiting range
- [2] Aligned plate 100 mm x 100 mm
- [3] Working range
- [4] Pipe diameter 10 mm